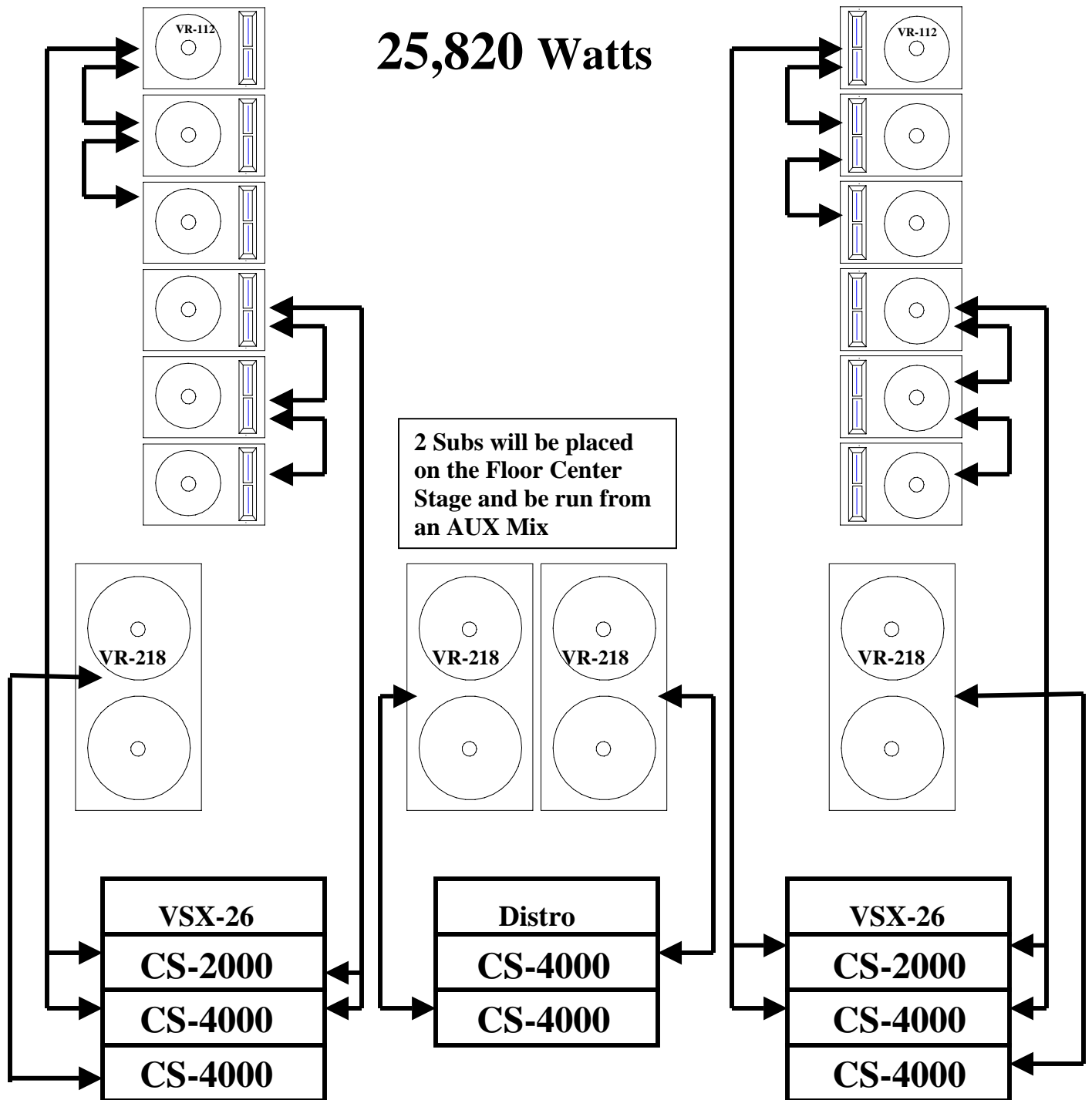


VerrsArray 6 - Hang System

With 1 VR-218 Sub per side

& 2 VR-218 Subs as Center Aux Fed



Note: CS-4000's for all Subs are in Bridge Mode

VersArray 6 - Hang System

With 1 VR-218 Sub per side & 2 VR-218 Subs as Center Aux Fed

By Marty McCann
Peavey Electronics Corporation

25,820 Watts

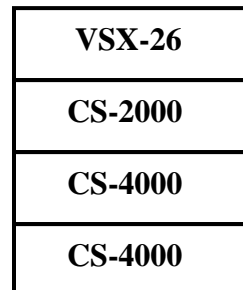
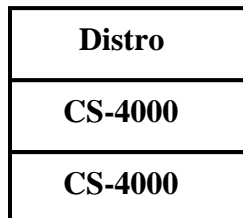
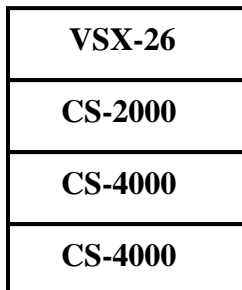
Left & Right FOH System

<u>QTY</u>	<u>Model</u>	<u>Description</u>
12	VR-112	Two-way Loudspeaker Enclosure
4	VR-218	Low Frequency Loudspeaker Enclosure
2	CS-2000	Power Amplifier
6	CS-4000	Power Amplifier
2	VSX-26	Digital Signal Processor
2	Fly Bar	Versarray 112 Fly Bar
2	Vermette Lift	Crank Up Loudspeaker Tower

Systemware

12	Pak Locking Pins	VR-112 Pins (4 Pak)	#00594020
12	3 Ft Low Z	Balanced Cable	#00380220
5	D3F	Female XLR Panel Mount	#00382340
2	D3M	Male XLR Panel Mount	#00382370
4	NC3MX-BAG	Male XLR	#00383560
8	2 Ft 4 Cond	16-Gauge Spkn/Spkn Cable	#00597020
2	10 Ft 4 Cond	12-Gauge Spkn/Spkn Cable	#00575030
4	25 Ft 4 Cond	12-Gauge Spkn/Spkn Cable	#00575040
2	50 Ft 4 Cond	12-Gauge Spkn/Spkn Cable	#00575050
8	NL4MP	4 Pole Speakon Panel Mount	#00384870
1	Distro	6 x 20 Amp Power Distro	#00511590

Amp Racks



6 x 20 Amp Circuits

Note Panels are renderings but are not to scale

